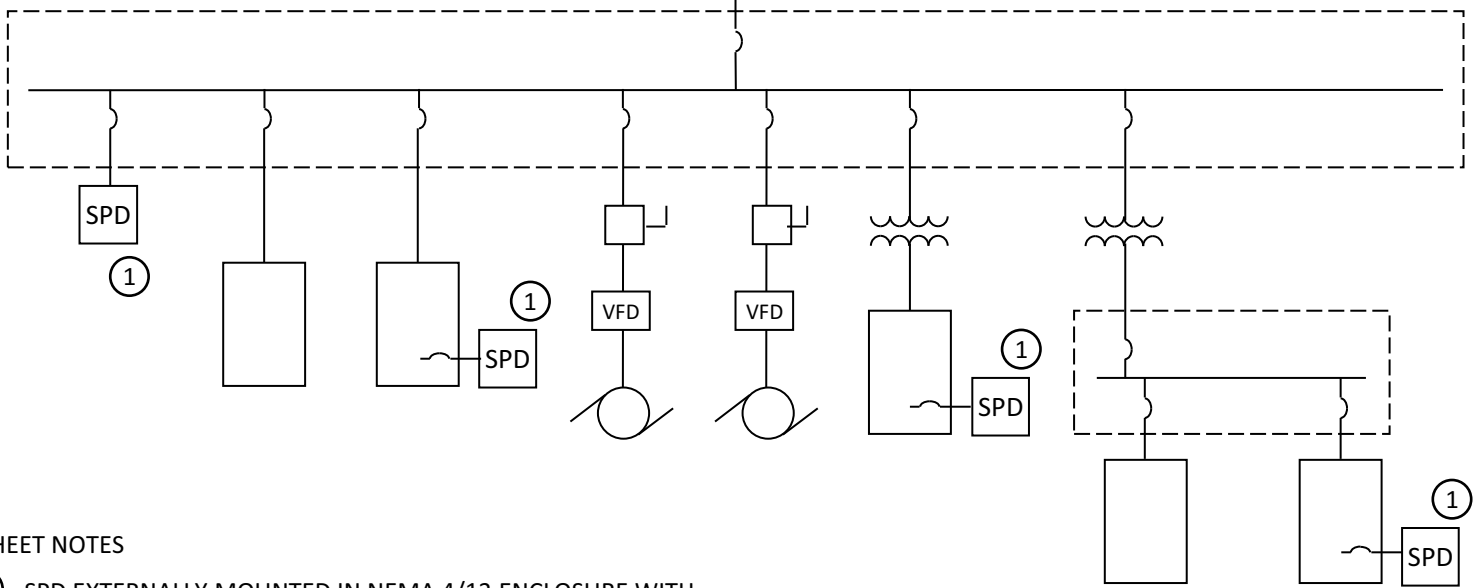


TransGuard (TG3) SPD for Switchboards & Panelboards

Load Side of the Main Breaker

Connection Thru a Breaker



SHEET NOTES

- ① SPD EXTERNALLY MOUNTED IN NEMA 4/12 ENCLOSURE WITH INTEGRAL DISCONNECT SWITCH. 15 YEAR WARRANTY. UL 1449 4TH EDITION LISTED, TYPE 1. $I_{NOMINAL} = 20 \text{ KA}$, MCOV AT LEAST 115% OF NOMINAL. TESTED PERFORMANCE PER MODE SHALL BE AS FOLLOWS. SURGE CURRENT CAPACITY: (Insert from Column A below). REPETITIVE IMPULSE CAPACITY: (Insert from Column B below). SUBMIT TESTING DOCUMENTATION: SURGE CURRENT CAPACITY AND REPETITIVE IMPULSE CAPACITY. NETWORK-BASED MONITORING SYSTEM. STATUS, PERFORMANCE AND POWER QUALITY MONITORING THROUGH THE FACILITY'S NETWORK VIA A WEBSERVER. NO SOFTWARE IS REQUIRED. AFTER INSTALLATION, USE A PORTABLE SURGE GENERATOR/TEST SET TO CONFIRM THE OPERABILITY OF ALL SPD COMPONENTS AND THE PRESENCE OF A NEUTRAL-TO-GROUND BOND. MEASURE AND RECORD ALL LET-THRU VOLTAGES AND SUBMIT THE REPORT TO THE ENGINEER. CURRENT TECHNOLOGY MODEL (Insert from chart below). FOR PANEL 1000 A - 3000 A, FEED SPD WITH A 100 A/3P BREAKER. FOR PANEL 200 A - 800 A, FEED SPD WITH A 60 A/3P BREAKER. FOR PANEL 1000 A - 3000 A, USE 4 #2 AWG & 1 #2 AWG GROUND. FOR PANEL 200 A - 800 A, USE CURRENT TECHNOLOGY HPI-6Y.

Product Application

Source Current Rating	Surge Current Capacity per Mode (x2 per Phase)	
	No Upstream SPD	With Upstream SPD
3000 A (and Above)	300 kA	150 kA
2500 A	250 kA	125 kA
2000 A	200 kA	100 kA
1600 A	150 kA	80 kA
1000 A - 1200 A	125 kA	180 kA
800 A	100 kA	50 kA
400 A - 600 A	80 kA	50 kA
200 A	50 kA	50 kA

Application Specific Performance and Model Numbers

COLUMN A	COLUMN B	480Y/277 V Systems	208Y/120 V Systems
Surge Current Capacity per Mode (x2 per phase)	Repetitive Impulse Capacity per Mode	Type 1 Direct Bus Connection	Type 1 Direct Bus Connection
300 KA	11,000	TG3-300-480-3Y-MDB-M4-F	TG3-300-208-3Y-MDB-M4-F
250 KA	10,000	TG3-250-480-3Y-MDB-M4-F	TG3-250-208-3Y-MDB-M4-F
200 KA	9,000	TG3-200-480-3Y-MDB-M4-F	TG3-200-208-3Y-MDB-M4-F
150 KA	8,000	TG3-150-480-3Y-MDB-M4-F	TG3-150-208-3Y-MDB-M4-F
125 KA	7,500	TG3-125-480-3Y-MDB-M4-F	TG3-125-208-3Y-MDB-M4-F
100 KA	7,000	TG3-100-480-3Y-MDB-M4-F	TG3-100-208-3Y-MDB-M4-F
80 KA	6,000	TG3-080-480-3Y-MDB-M4-F	TG3-080-208-3Y-MDB-M4-F
50 KA	5,000	TG3-050-480-3Y-MDB-M4-F	TG3-050-208-3Y-MDB-M4-F

For other voltage configurations and options, see the SL3 Series Product Configuration Guide